



PROTON-ELECTROTEX
POWER SEMICONDUCTOR DEVICES

Fast Thyristor with 100 mm Semiconductor Chip



APPLICATION:

- induction heating systems.

FEATURES:

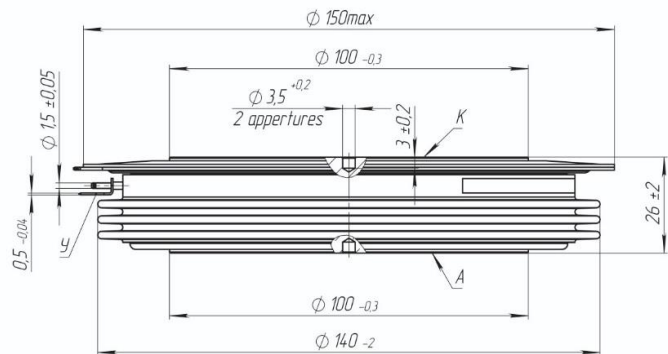
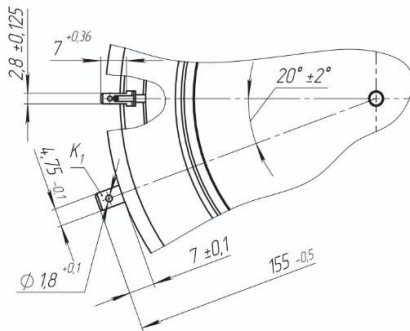
- industrial standart packages;
- sintering technology

BENEFITS:

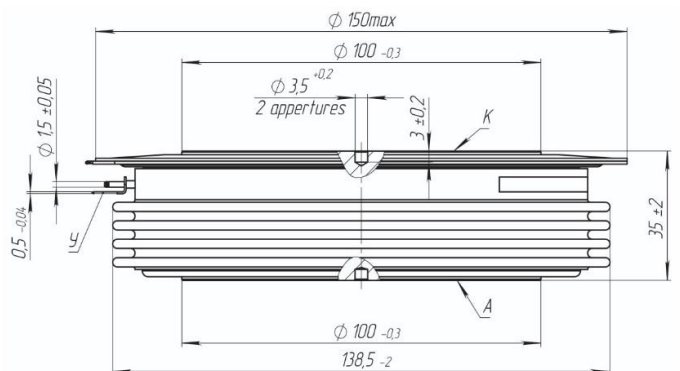
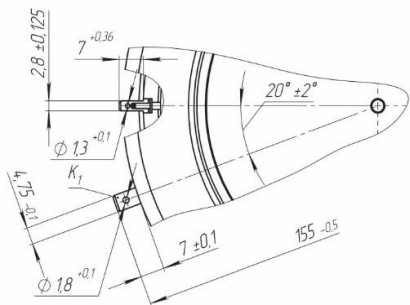
- increased average on-state current;
- low thermal resistance;
- low switching losses;
- short turn-off time;
- improved reliability;
- improved high-load electrical and thermal cycling capability.

DIMENSIONAL DRAWINGS:

TFI 193-2500-28



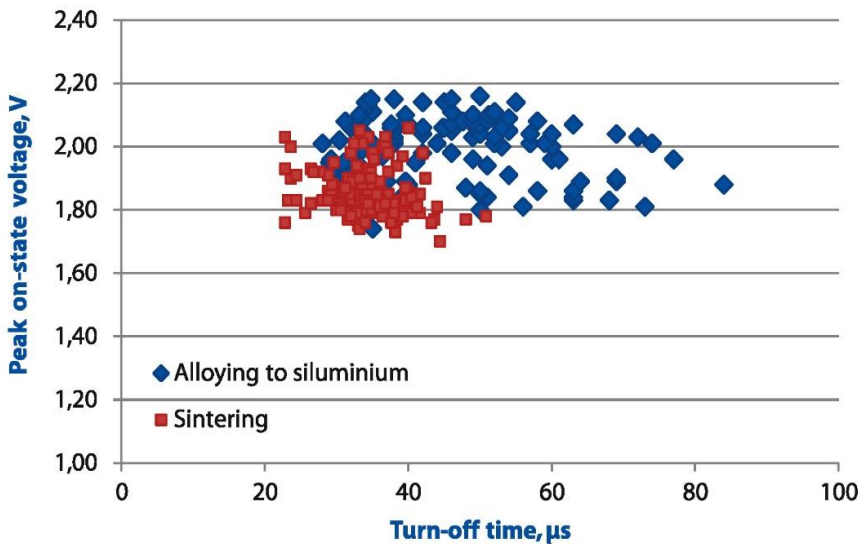
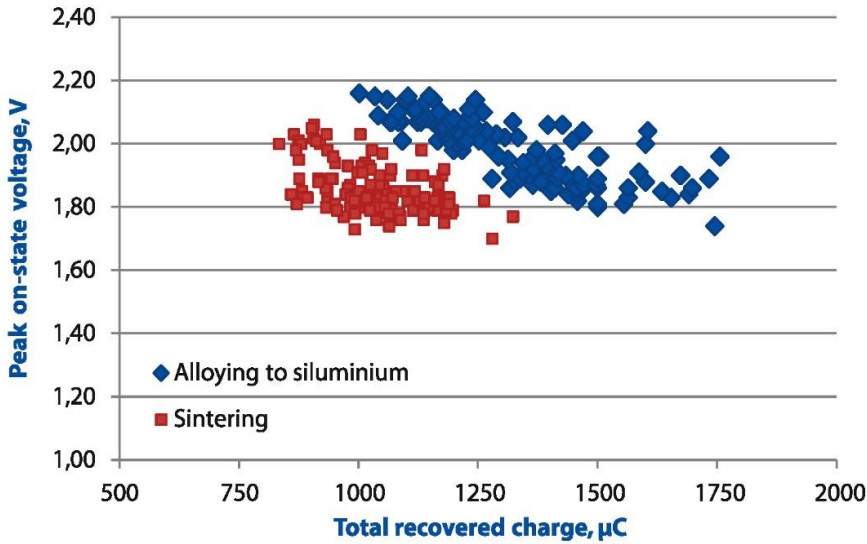
TFI 393-2500-28





Fast Thyristor with 100 mm Semiconductor Chip

MAIN PARAMETERS:



Product	V_{DRM} V_{RRM}	I_{DRM} I_{RRM}	$I_{\text{TAV}} (T_c)$	I_{TSM} (T_{Jmax} , 10 ms)	$V_{\text{T(TO)}}$	r_T	T_{Jmax}	tq	R_{thjc}
	V	mA	A ($^{\circ}\text{C}$)	kA	V	mOhm	$^{\circ}\text{C}$	μs	$^{\circ}\text{C}/\text{W}$
TFI193-2500-28	2400 \div 2800	300	2500 (93)	86	1,4	0,12	125	50	0,0059
TFI393-2500-28	2400 \div 2800	300	2500 (93)	86	1,4	0,12	125	50	0,0060