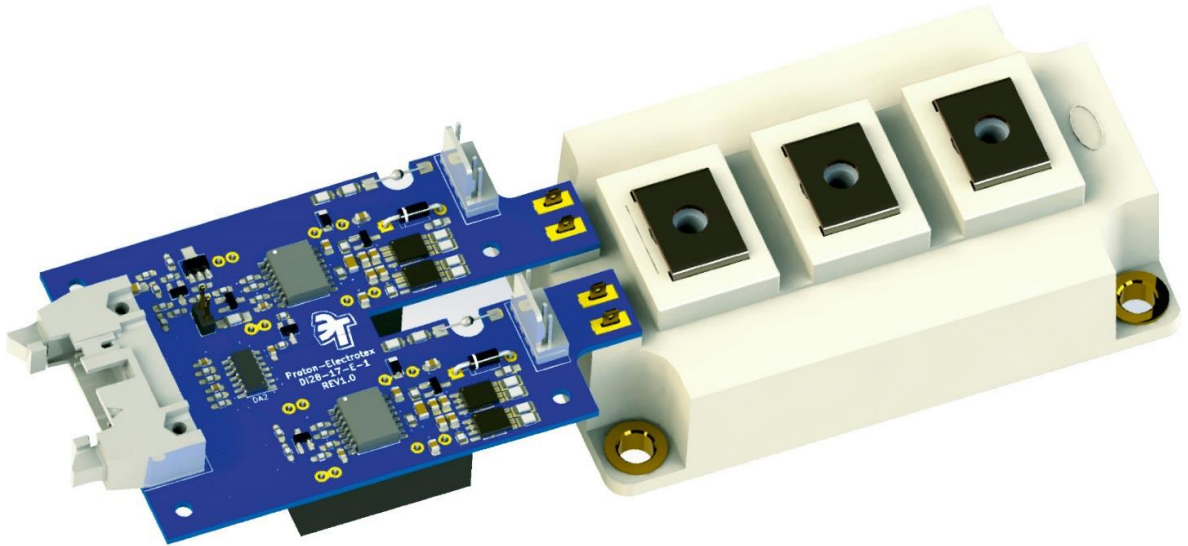




**PROTON-ELECTROTEX**  
POWER SEMICONDUCTOR DEVICES

## Dual Channel IGBT Driver



### Product description

DI28-17-E-1 is a dual channel IGBT plug and play driver, designed specially for 34 & 62 mm IGBT modules with voltage class up to 1.7 kV.

#### Features

- Dual channel IGBT driver
- Blocking voltage up to 1700 V
- Peak gate current +/-8 A
- Output gate voltage +15/-8 V
- Interface 15 V logic level
- Half bridge and separate mode
- 2 level and multi level topologies
- Dielectric test voltage 4 kV AC
- Isolated DC/DC converter
- Switching frequency up to 15 kHz
- Short circuit protection with soft shut down
- Supply under voltage protection
- Compact design 93x60x25 mm

#### Typical application

- Solar and wind power converters
- Uninterruptible power supplies (UPS)
- Electric drive vehicles
- Railway
- AC motor drives
- Frequency converters
- Active rectifiers



[www.proton-electrotex.com](http://www.proton-electrotex.com)

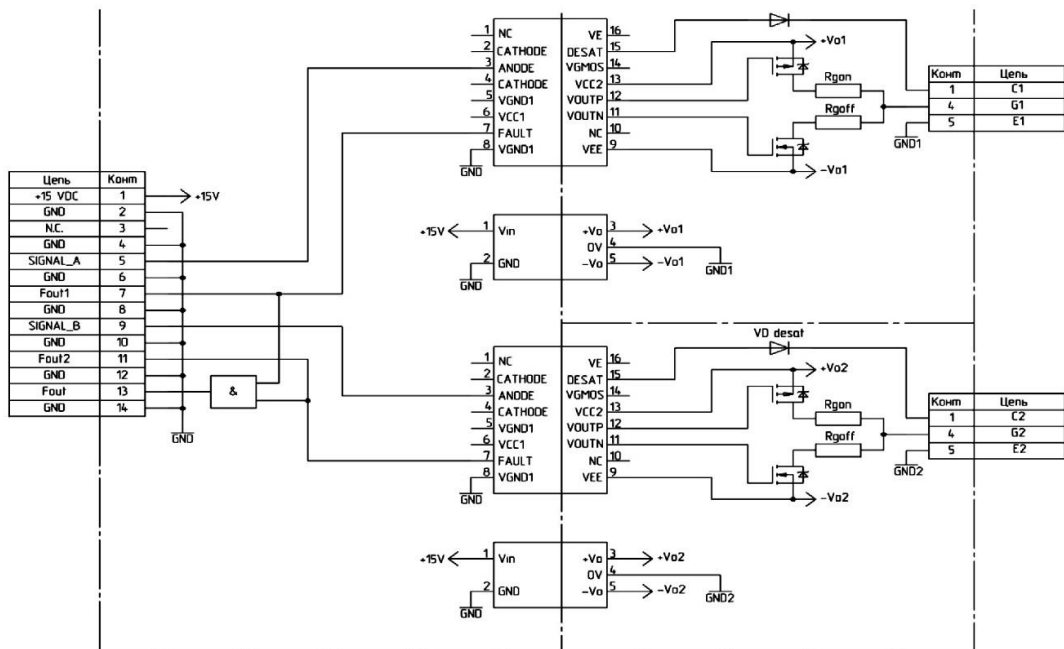


+7 (4862) 44-04-56



[marketing@proton-electrotex.com](mailto:marketing@proton-electrotex.com)

## Block diagram



## Key data

Parameter	Min	Typ.	Max	Unit
Supply voltage		15		V
Gate voltage		+15/-8		V
Peak output gate current	-8		+8	A
Output power per channel		1.2		W
Turn-on delay			100	ns
Dead time (half bridge mode)		4		µs
Switching frequency			15	kHz
Turn-on threshold	10			V
Turn-off threshold			5	V
dv/dt immunity, input-output	50			kV/µs
Isolation test voltage input-output	4.0			V <sub>AC</sub>
Operating temperature	-40		+85	°C
Storage temperature	-40		+55	°C