



**PROTON-ELECTROTEX**  
POWER SEMICONDUCTOR DEVICES

## High-power High-voltage Diode with 100 mm Semiconductor Chip



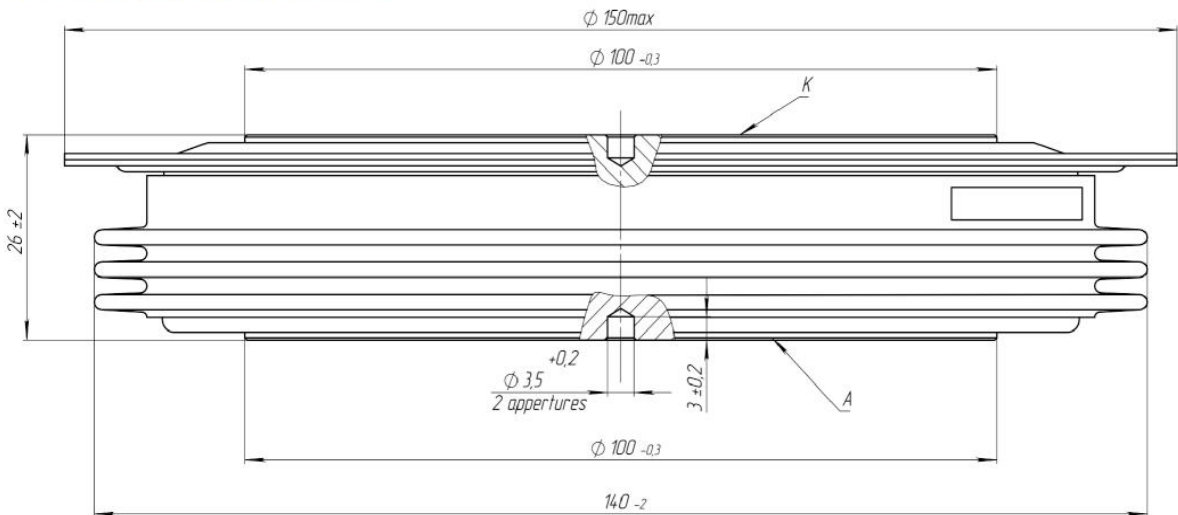
### APPLICATION:

- power conversion equipment

### FEATURES:

- high safety factor  $I^2t$
- increased average current
- low on-state losses and reverse recovery losses
- low thermal resistance

### DIMENSIONAL DRAWING:



### MAIN PARAMETERS:

Products	$V_{RRM}$ V	$I_{RRM}$ mA	$I_{FAV}(T_C)$ A (°C)	$I_{FSM}(T_{jmax}, 10\text{ ms})$ kA	$V_{F(TO)}$ V	$r_T$ mOhm	$T_{jmax}$ °C	$R_{thjc}$ °C/W
D193-3200-65	6200±6500	300	3200 (111)	64	0,90	0,190	150	0,005