



**PSL Assemblies Ltd**  
**Eastern Avenue**  
**Dunstable**  
**Bedfordshire**  
**LU5 4JY**

**Tel: +44 (0) 1582 676800**  
**Fax: +44 (0) 1582 676801**  
**email: info@psl-group.uk.com**



## TECHNICAL SPECIFICATION

### ISOLATOR : PRODUCT CODE : ISO50/35

#### Electrical Properties

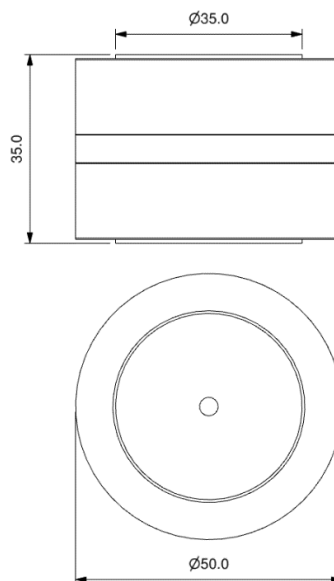
<b>Voltage Rating (<math>V_M</math>)</b>	<b>10600V</b>
<b>Voltage Rating(RMS)</b>	<b>4180V</b>

#### Thermal Properties

<b>Max case temperature</b>	<b>150°C</b>
<b>Operating Temperature</b>	<b>-40°C....150°C</b>
<b>Storage Temperature</b>	<b>-40°C....150°C</b>
<b><math>R_{thCK}</math></b>	<b>0.01 °C/W</b>
<b><math>R_{thC-C}</math></b>	<b>0.146 °C/W</b>

#### Mechanical Properties

<b>Materials</b>	<b>Aluminium Oxide</b> <b>Aluminium Nitride</b> <b>Copper</b>
<b>Max Force</b>	<b>45 kN</b>
<b>Weight</b>	<b>430 g</b>



This product and related information remains the intellectual property of PSL Assemblies Limited and its' associated companies. All rights reserved.